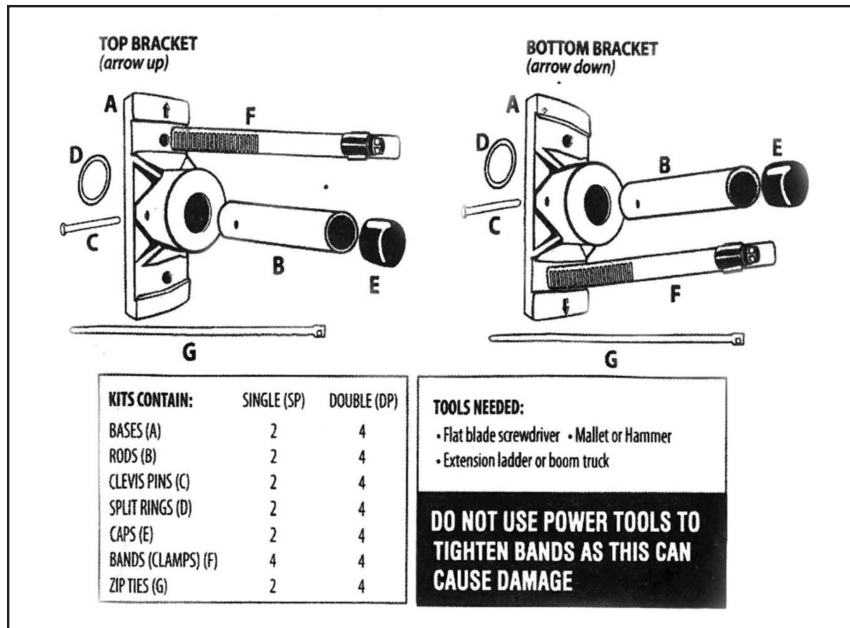


# Pole Banner Kit

## Banner Bracket Assembly Instructions



### SINGLE POLE (SP) INSTALLATION INSTRUCTIONS

1. Insert fiberglass rods (B) firmly into bracket bases (A). Twist until open holes line up. Suggestion: adding epoxy to the bracket hole helps reduce pole chatter and failure of the banner poles.
2. Push clevis pin (C) through open hole. NOTE rod and bracket holes must line up exactly and will be tight. Mallet/hammer can be used to tap pin through hole.
3. Thread split ring (D) through hole in end of clevis pin (C) to secure.
4. Place caps (E) onto ends of rods (B).
5. Set top bracket (A) to desired height on pole; with arrow facing up. Secure in place using two bands (F). NOTE: Must use screwdriver to achieve correct tension.
6. Measure down with bottom bracket and repeat above steps; be sure that the arrow on the bracket is pointing down or banner will not fit properly. TIP: After installing top bracket; attach banner to top rod and let fall. This will help determine where to install bottom bracket.
7. Slide banner over the top/bottom rods (B) and attached to the hardware system with supplied cable ties (G). Cable ties attach through grommets on banners and split rings (D) on bracket. Secure tightly, too tight will cause wrinkling in banner.

### DOUBLE POLE (DP) INSTALLATION INSTRUCTIONS

Same as SINGLE (SP) instructions except use (2) brackets top and bottom, parallel to each other on the pole. You will still use the same amount of bands as a single kit. For double kits you may find it easier to install brackets to pole before inserting fiber-glass rods into brackets.